

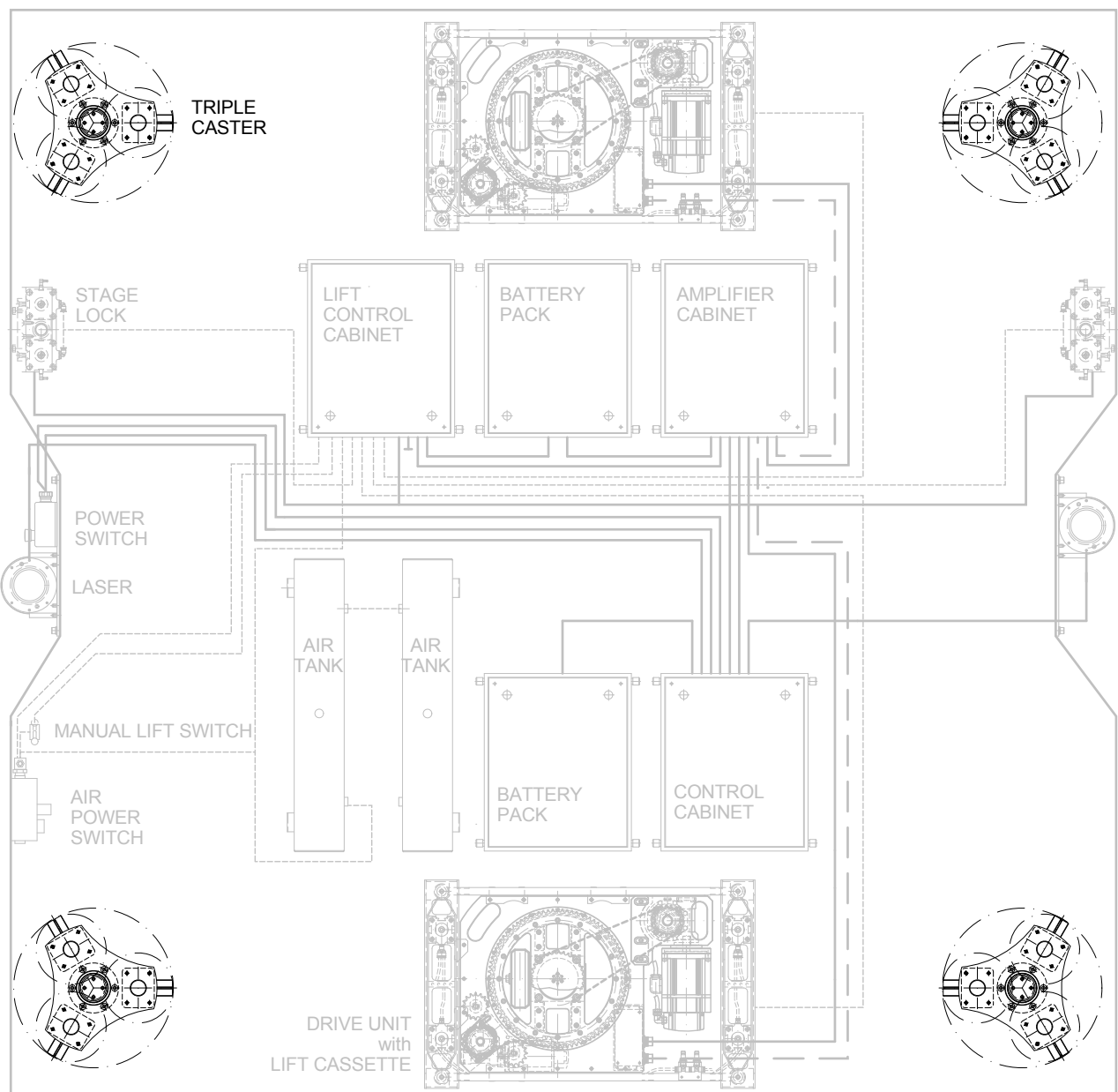
Triple Caster

Technical Data Sheet

The Visual act Triple Caster (TC) has been designed to reduce rolling friction to a minimum.

Features

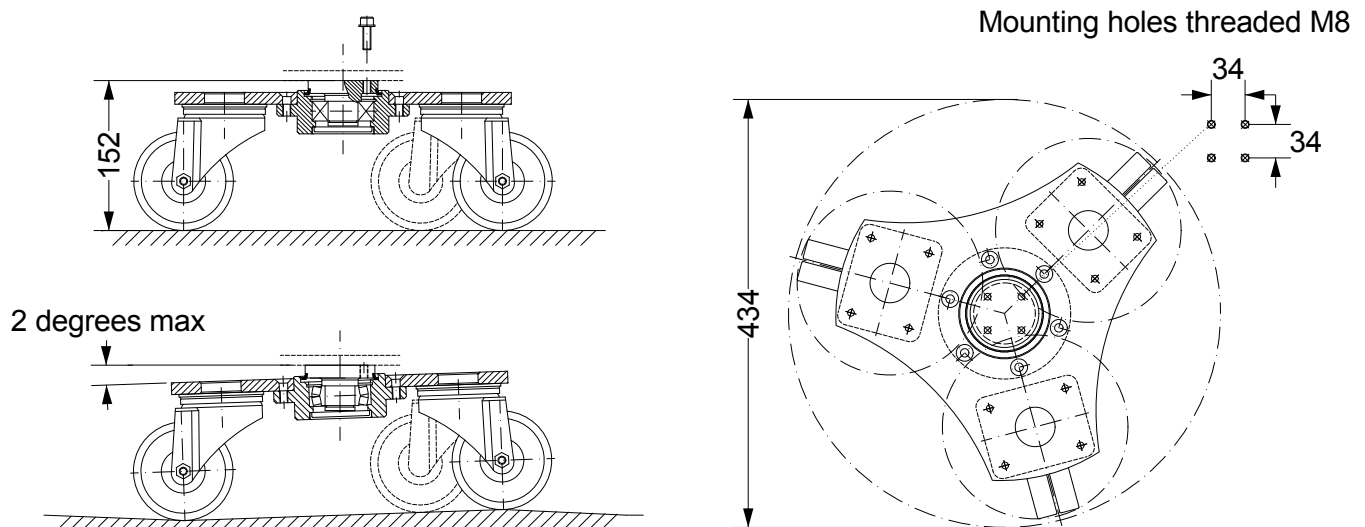
- A spherical bearing that guaranties that the triple casters are always equally loaded and parallel with the stage floor.
- Split wheels with individual ball bearings reduce starting resistance, even when wheels are heavily loaded and incorrectly aligned.
- A maximum load of 900 kg.
- Ideal load 550 kg. This is the load that provides for best combination of loading and low rolling friction.
- Low height – can easily be built into 200 mm wagons.



Dimension drawing

Specifications

• Maximum load static	900 kg
• Maximum load dynamic	750 kg
• Recommended load dynamic	550 kg
• Wheel diameter	100 mm
• Wheel width	2 x 20 mm
• Floor pressure at max load	3.6 MPa
• Build in diameter	434 mm
• Build in height	152 mm
• TC weight	9 kg
• TC offset	41 mm
• Shore hardness	92
• Required space	184 x 500 x 500 (H x W x L)
• Rolling friction during operation	<3 %
• Average starting friction at recommended load, at reverse of direction	5.5 %



The information provided in this document is intended for informational purposes only and is subject to change without notice. Information may be changed or updated without notice. Visual act AB may also make improvements and/or changes in the products, described in this information at any time without notice.

Contact information, rentals & sales

Värmdövägen 703, SE-132 35 Saltsjö-Boo, Sweden
+46 (0)8 522 472 00 / vact@visualact.se / www.visualact.se