

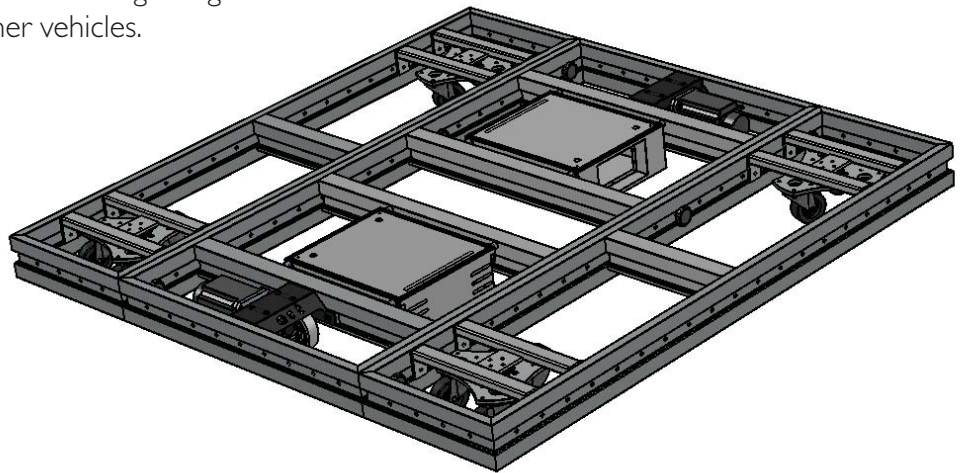
Analog Wagon - Start package

Technical Data Sheet

The Visual act Analog Start package is delivered complete with a welded HOAC aluminum frame.

The Visual act Analog System offers:

- Motion directly under operator control.
- Move along curves and create rotations.
- Separate function for rotation about central axis.
- True servo motors for constant speeds and accelerations at all loads.
- Use to create revolves and stage wagons.
- Simulate cars or other vehicles.



Specifications

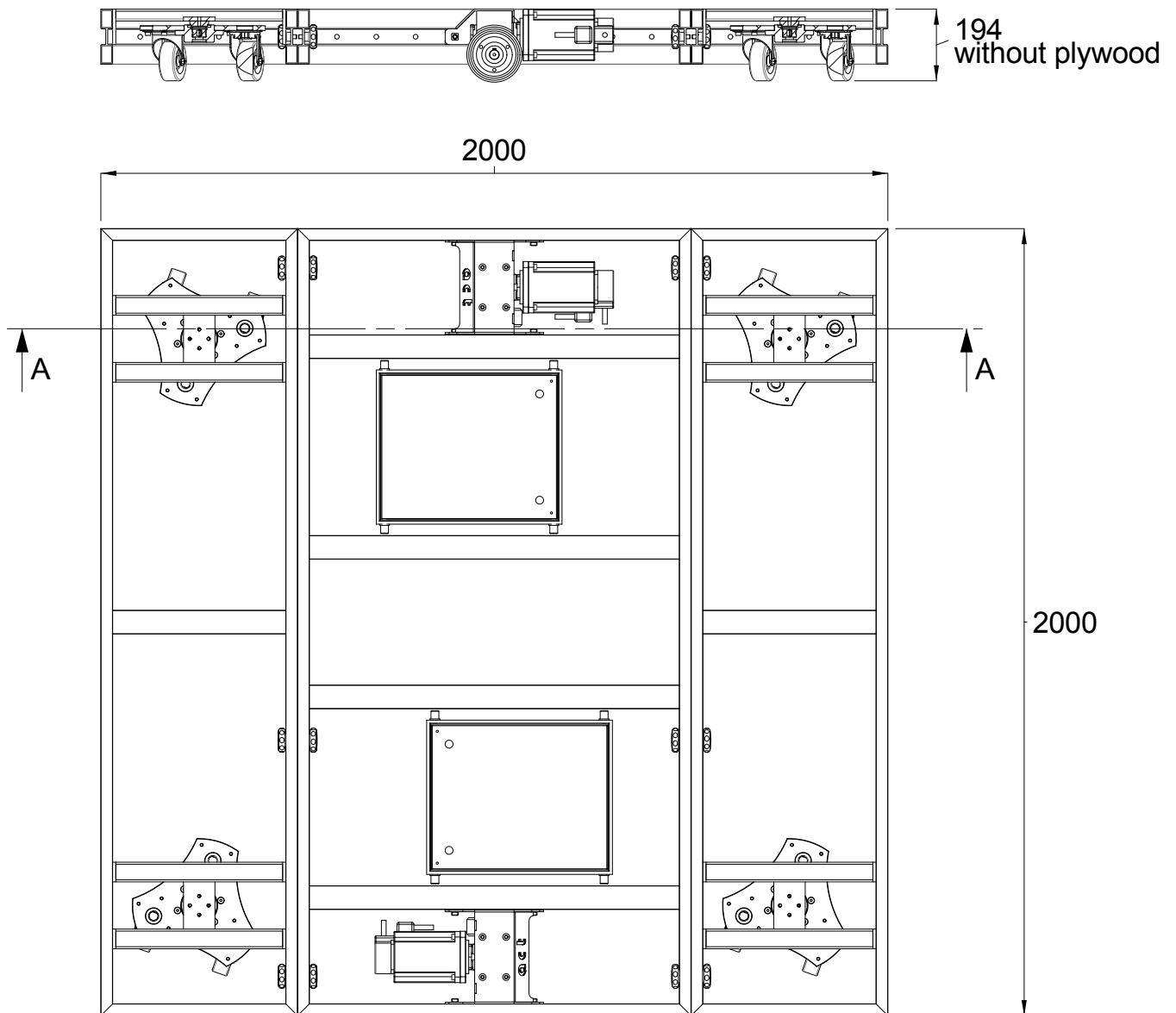
- Size start package 2 × 2 meters.
 - One frame 1 × 2 meters with all drive components.
 - Two frames 0.5 × 2 meters with Visual act triple casters.
- 21 mm weatherproof plywood tops.
- Platform height 215 mm including plywood.
- Two servo drive units, each 1.5 kW.
- Drive wheel diameter 140 mm.
- Drive wheel hardness Shore 92.
- Four low friction triple swivel caster modules.
- Load capacity 1500 kg.
- Speed variable from 0 to 1 m/s
- 13 Ah, 120 VDC sealed battery system with charger.
- Noise level < 40 db at 1 meter.
- Radio system with
 - Two joysticks for motion control.
 - Emergency stop.
 - Adjustable maximum speed on controller.

Options

- Increase size by adding additional HOAC modules.
- Purchase components without frame for installation directly in your scenery.

Dimension drawing

SECTION A-A



The information provided in this document is intended for informational purposes only and is subject to change without notice. Information may be changed or updated without notice. Visual act AB may also make improvements and/or changes in the products, described in this information at any time without notice.

Contact information, rentals & sales

Värmdövägen 703, SE-132 35 Saltsjö-Boo, Sweden
+46 (0)8 522 472 00 / vact@visualact.se / www.visualact.se